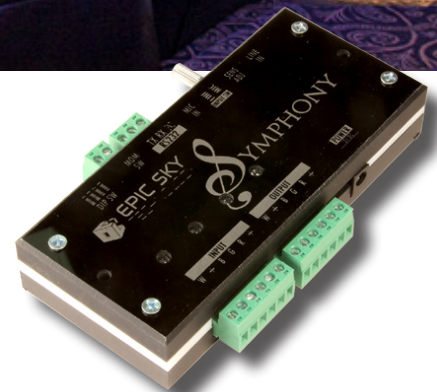


# EPIC Symphony

## LED COLOR CHANGING MUSIC INTERFACE



The Epic Symphony is a high end sound activated music light controller unit that allow you to easily create a dynamic environment. The symphony has multiple functions: pre-programmed light sequences for instant plug and play effects or custom synchronization using your microphone, ipod or phone for real-time music analysis. The Epic Symphony works independently or integrated into a whole-house control system.



### HOW IT WORKS

The Epic Symphony uses frequency detection to control lighting effects to the music being played. The color response can be based on frequency or instruments. **Perfect for watching concerts in your home theater!** Choose the color channel you want to pulse on chosen instruments as well as vocals. The Epic Symphony has **multiple music and movie modes**. There are 5 music modes, 4 movie modes, and even 1 special EQ mode. All of these presets come standard and allow you to create a custom setting.

### TRUE BEAT TECHNOLOGY

- ▶ Analyzes a variety of frequencies
- ▶ Controls LED channels to desired ambiance
- ▶ RS232 Controller allows endless output options
- ▶ Preprogrammed effects for instant effects
- ▶ Custom App interface available for iPad & iPhone

### COMMAND YOUR ENVIRONMENT

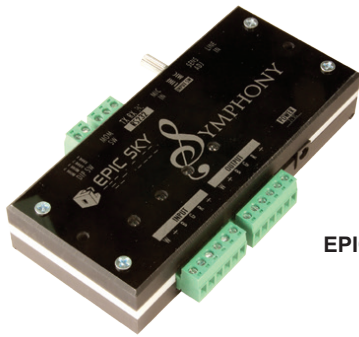
Epic's Symphony Controller can be used in conjunction with Epic Sky's WiFi Interface, IR Receiver, Epic Melody Controllers and our Remote Momentary Switch

#### Epic Sky Technology

A Division of Impact Lighting, Inc.

2101 West Central Blvd. Orlando, Florida 32805 USA • Phone: 1.800.507.5714 • Email: sales@epicskytech.com

[www.epicskytech.com](http://www.epicskytech.com)



EPIC SYMPHONY



The EPIC SYMPHONY is a music interface that analyzes a variety of frequencies and controls LED channels accordingly. The Symphony is completely controllable via RS232 serial or momentary switch for music reactive light shows.

Easily create a dynamic environment with preprogrammed light sequences or plug in your microphone, iPod or phone for real-time music analysis. The Symphony works independently or integrated into a whole-house control system.

**KEY FEATURES:**

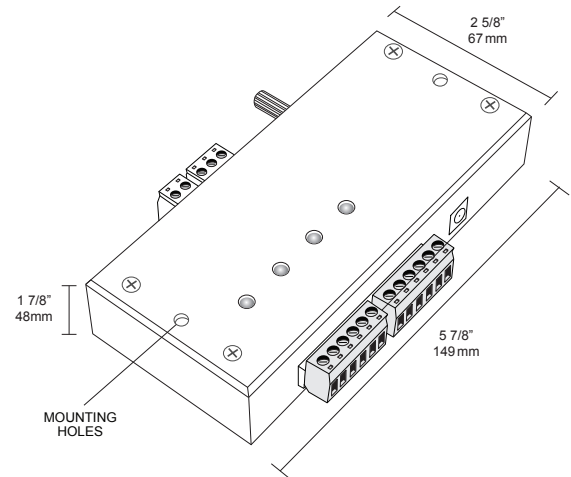
- RGBW 4 Channel LED output
- No programming required
- Controllable via RS232 serial commands
- 2 music inputs
- Line level in via line level and microphone
- Closed contact control for on and off operation
- Computable with most industry RGB LED controllers (constant current or constant voltage LED's)
- 3.5mm stereo plug in input for line level and microphone

**BENEFITS:**

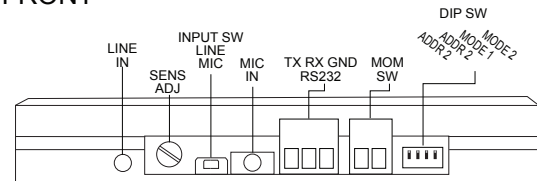
- Multiple music and movie modes \*
  - 1) Theater Mode
    - action, romance, comedy, horror
  - 2) Music Mode
    - rock, techno, classic, jazz, R&B, EQ mode
  - 3) Stand Alone
- Addressable up to 4 different musically separately controlled zones from 1 serial port.
- Passes 12V or 24V LED's (Requires separate 12V or 5W power supply. Sold separately)

**\* MODES:**

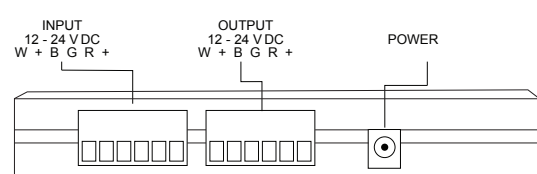
Mode 1	Rock	Mode 7	Action
Mode 2	Techno	Mode 8	Romance
Mode 3	Classic	Mode 9	Comedy
Mode 4	Jazz	Mode 10	Horror
Mode 5	R & B	Mode 11	Bypass
Mode 6	EQ		



**FRONT**



**BACK**



**ORDERING**

**MODEL**

**EPIC-Symphony**

RS232 Controller

**CAN BE USED IN CONJUNCTION WITH:**

- Advanced RS232 Controller
- WiFi Interface
- EPIC Eye
- Remote Momentary Switch

**Epic Sky Technology**

A Division of Impact Lighting, Inc.

2101 West Central Blvd. Orlando, Florida 32805 USA • Phone: 1.800.507.5714 • Email: sales@epicskytech.com

[www.epicskytech.com](http://www.epicskytech.com)