

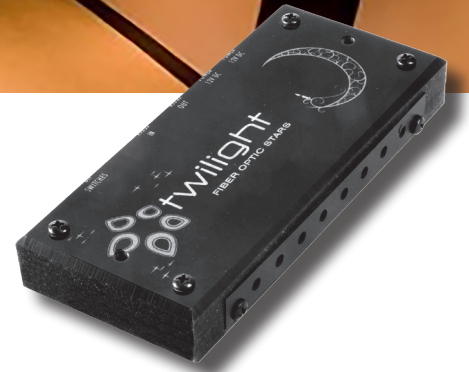
# TWILIGHT STAR KIT

## LED DIGITAL STAR LIGHTING



**YOU COMMAND THE NIGHT!**

Epic Sky's TWILIGHT Star Kit creates your perfect night sky with the **best LED technology available in digital star lighting**. Featuring 10 eye mesmerizing programs that are sure to make you the envy of your friends. From a subtle twinkle to ascintillating strobe you now have the power to control and create your ideal vision of a night sky.



*This kit is designed to be a star kit or a custom effect kit.*

## INSTALLATION IS SIMPLE AND EASY!

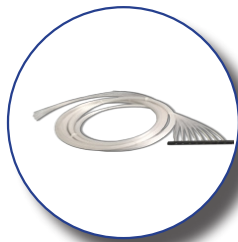
- 1 Drill your desired star pattern into your chosen surface
- 2 Insert the fibers into the holes and glue into place.
- 3 Screw the pre-made fiber head into the Twilight module then turn it ON!

You can trim the fibers flush after your final coat of paint. Intervals of your desired effect can be adjusted through DIP switches on the back of the Twilight module.

### KIT INCLUDES:



STAR KIT MODULE



8 FT. FIBER OPTIC TAIL



12 VDC POWER SUPPLY



3 DRILL BITS  
(DREMEL® RECOMMENDED)

### Epic Sky Technology

A Division of Impact Lighting, Inc.

2101 West Central Blvd. Orlando, Florida 32805 USA • Phone: 1.800.507.5714 • Email: sales@epicskytech.com

[www.epicskytech.com](http://www.epicskytech.com)



STAR KIT MODULE



8' FIBER OPTIC STRANDS  
(COVERS UP TO 14 SQ. FT.)

Add another interface to daisy chain fibers and expand coverage area.



120 VOLT  
POWER SUPPLY



3 DRILL BITS  
(Dremel® recommended)

**KEY FEATURES:**

- 12 VDC Power Supply
- 250 Fiber Stars w/ 8ft. long fibers
- 10 Programs
- RS232 Serial Controllable
- Optional IR Control *(Sold Separately)*
- Remote Momentary Switch Ready *(Switch Sold Separately)*
- Stand Alone Mode – Dip Switch Program
- Optional WiFi w/ Phone/Tablet App. Control

**BENEFITS:**

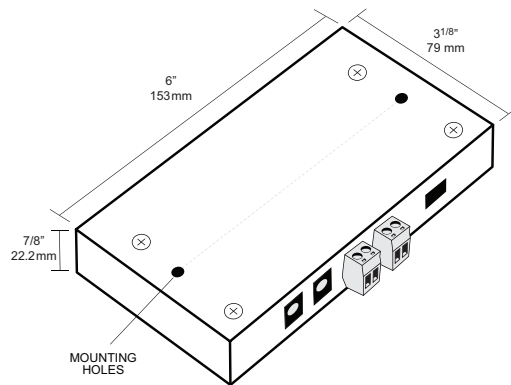
- Digital Electronics
- Compact Design
- Quiet Operation *(no fan)*
- No Moving Parts!
- Long Life LED's
- Low Wattage



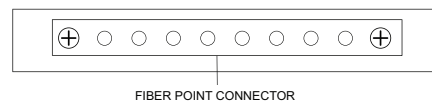
Epic Sky's **TWILIGHT STAR KIT** creates your perfect night sky with the **best LED technology available** in digital star lighting. Featuring 10 eye mesmerizing programs that are sure to make you the envy of your friends. From a subtle twinkle and a summer breeze effect, to an upbeat party mode and amped up strobe! You now have the power to control and create your ideal vision of a night sky.

*This kit is designed to be a star kit or a custom effect kit.*

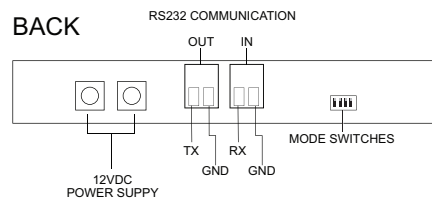
**TECHNICAL INFO:**



**FRONT**



**BACK**



V. 62016 | Copyright © 2016, Impact Lighting Inc. All Rights Reserved

**ORDERING**

<b>MODEL</b>
<b>TL-SK</b>

White Light Star Kit  
250 Fiber Stars  
8ft. Fiber Cable  
10 Programs  
12VDC Power Supply  
3 Drill Bits *(Dremel® recommended)*

**ACCESSORIES**

- RS232 Controller
- WiFi Interface
- IR Receiver
- Remote Momentary Switch



CREATE YOUR OWN STAR PATTERN  
TO GET DESIRED EFFECT

**Epic Sky Technology**

A Division of Impact Lighting, Inc.

2101 West Central Blvd. Orlando, Florida 32805 USA • Phone: 1.800.507.5714 • Email: sales@epicskytech.com

[www.epicskytech.com](http://www.epicskytech.com)