



PROJECT	DATE
TYPE	QTY

ION-8000

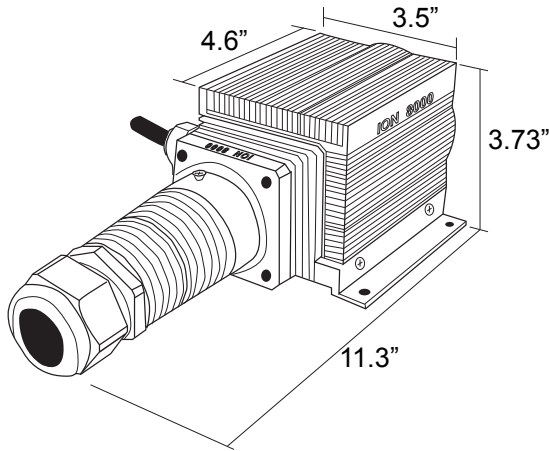
80W IP67 OUTDOOR LED ILLUMINATOR



ION-8000

The **ION-8000** series LED Light Source is an 80 watt 24V multi-controllable and configurable fiber optic illuminator for the architectural and commercial lighting, sign and pool and spa markets. It can be configured with white light or RGB or RGB+W LEDs with a stand-alone program, DMX, RS232 Serial or RF. LED options include RGB, RGB+W. Cool White and Warm White. Discreet colors upon special order, contact the factory for availability.

The ION-8000 features no serviceable or moving parts. A fan less SynJet® Cooler provides for quiet and efficient heat sink cooling. A 120W/24V power supply rated for 100-240VAC and 277VAC for North America only is included. Optional dimming transformer is available.



SPECIFICATIONS

PARAMETER	MAX RATING
Input voltage	100-240VAC / 277VAC
Amps	4 Amps
Wattage	100 W Max
Power supply	24V DC Class 2
Hz	50/60
Fiber capacity	1000
Operating temperature	-10°C to 80° C
Weight	7 lbs
Outdoor rating	IP67
Housing	Aluminum

ORDER LOGIC



MODEL	LED	CONTROL TYPE	ACCESSORIES
ION- 8000	-	-	-
80W LED- Fiber Optic Illuminator	WW - 3000K CW - 5500K RGB - Red/Green/Blue RGB+W - Red/Green /Blue/White	N - None D - Dimming Transformer SB - RGB Toggle Control - 2 Wire RS232 - RS232 Serial Controller RS232WIFI - RS232 Serial Controller w/ WiFi RF - Controller DMX - DMX512 Decoder	RFHR - Handheld Remote DE3 - DMX Wall Controller